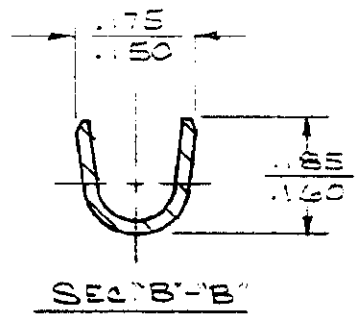
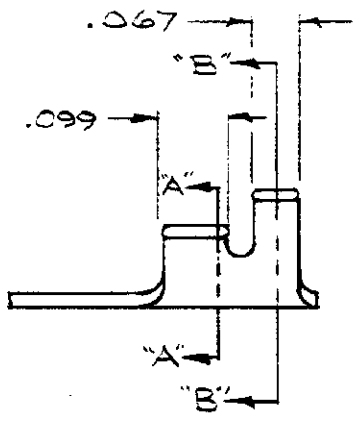
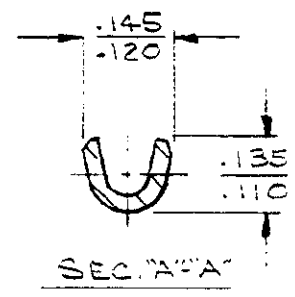
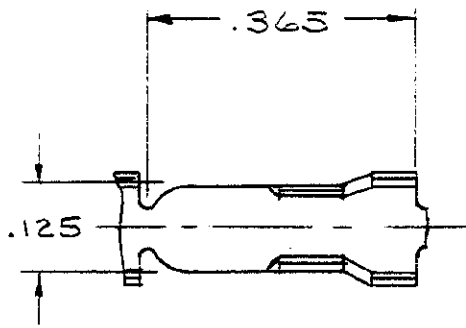


DRAWING MADE IN AMERICAN PROJECTION

NUMBER
60581



CONTINUED STRIP ON REELS

PART NO.
60581-1

DIMENSIONS IN INCHES. DO NOT SCALE PRINT.

©1972 BY AMP INCORPORATED. ALL RIGHTS RESERVED. AMP PRODUCTS COVERED BY PATENTS AND/OR PATENTS PENDING

**CUSTOMER COPY
REFERENCE ONLY**

MATERIAL AND FINISH
.020 STEEL
TIN



AMP INCORPORATED
HARRISBURG, PENNA.

WIRE — RANGE — INSULATION
#20 — #16 | .090 — .130

CLASS —

TYPE —

TOLERANCE EXCEPT AS NOTED
± .015

SCALE
4x1

LOC
AF

NO
60581

REV

DATE	BY	CHK	DATE	BY	CHK
5-25-72	B. BANKS		10-3-72	E. J. Jombar	
10-3-72	FL. GOMBAR		10-9-72	B. OLSSON	

NAME
WELD TAB